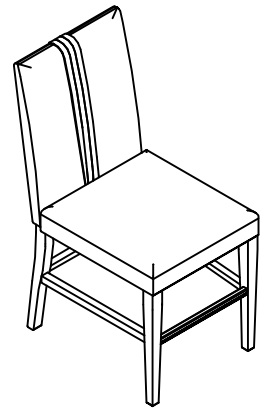



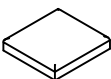
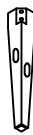
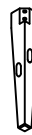

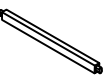







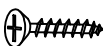

### Warning :

- Be sure to check all packing material carefully for small parts, which may have come loose inside the carton during shipment.
- To prevent possible scratches and damage, this furniture must be assembled on a soft surface such as a blanket or carpet.

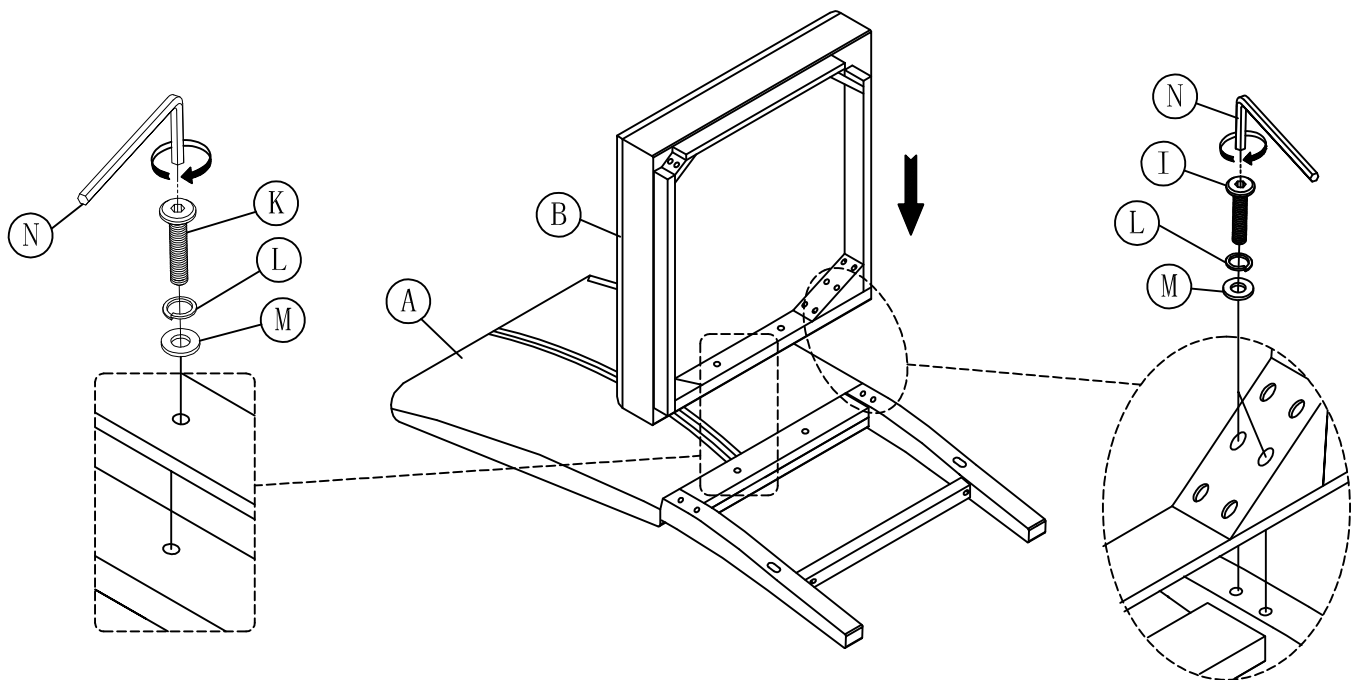


**91058  
Counter Height Chair**

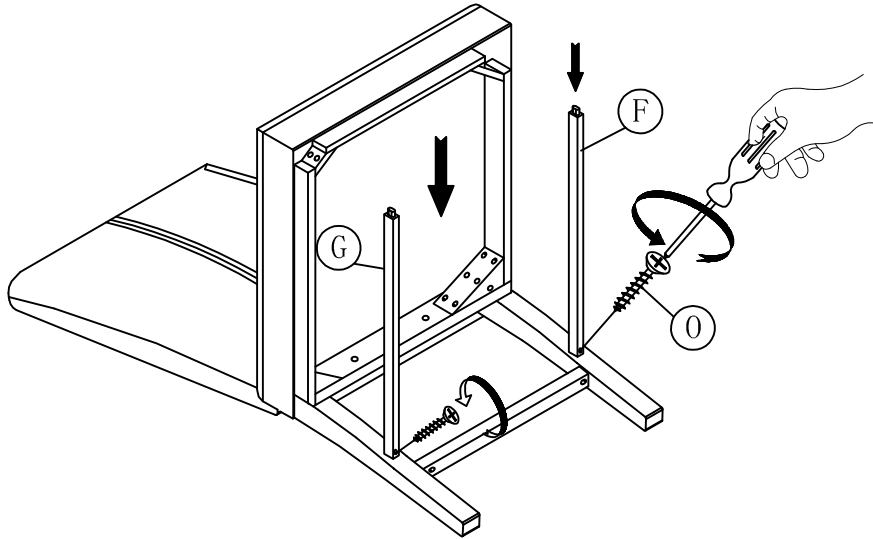
### Components and Hardware List

Chair Back  1 pc.	Seat Cushion  1 pc.	Right Leg  1 pc.	Left Leg  1 pc.	Front Stretcher (Metal U)  1 pc.		
Side Stretcher (Right)  1 pc.	Side Stretcher (Left)  1 pc.	Allen Head Bolt Ø5/16"-18 x 2-1/4"  4 pcs.	Allen Head Bolt Ø5/16"-18 x 3"  4 pcs.	Allen Head Bolt Ø5/16"-18 x 1-3/4"  2 pcs.	Spring Washer Ø5/16" x Ø13  10 pcs.	Flat Washer Ø5/16" x Ø19  10 pcs.
Allen Key M4 x 2-1/2"  1 pc.	Wood Screw #4 x 1-1/2"  6 pcs.	Screw Driver not included 				

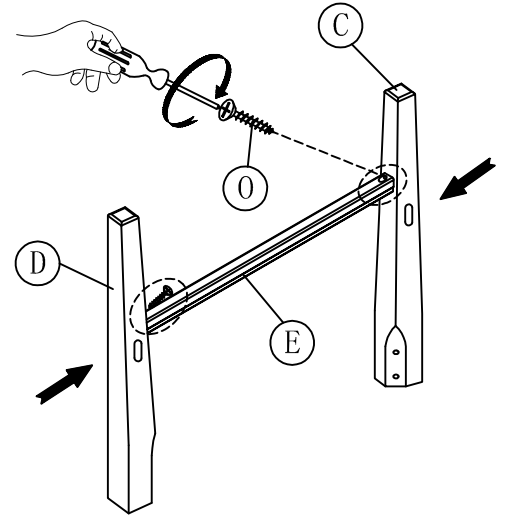
### STEP 1: Do not fully tighten the bolts.



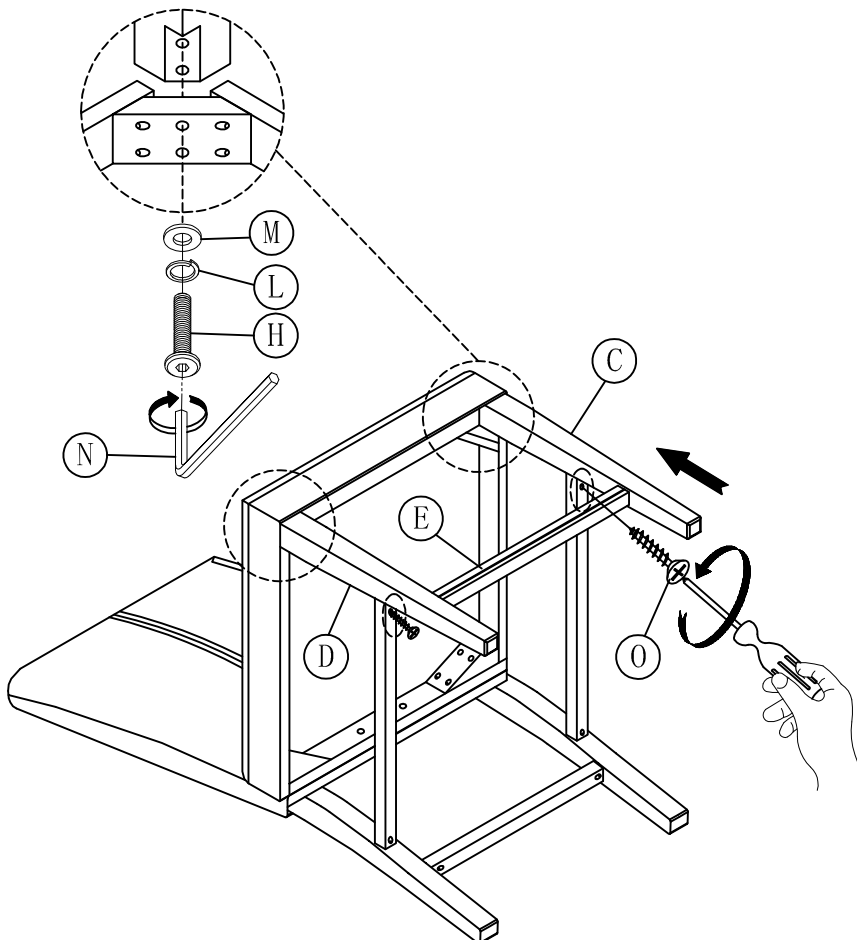
STEP 2: Do not fully tighten the screw.



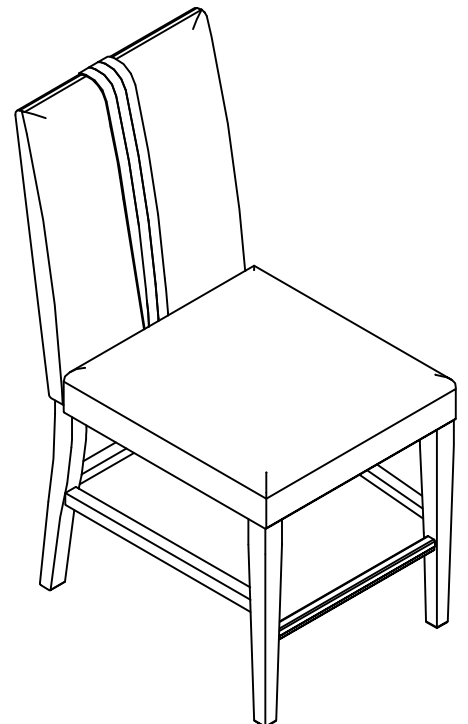
STEP 3



STEP 4: Using the Allen Key to tighten all bolts.



Complete



STEP 5: Using a Phillips head screwdriver tighten all screws.